

KLQ SERIES (10x35mm) FUSES

600 Vac • 1-6 A • Time Delay



Description

The Littelfuse KLQ series is designed to protect gaseous vapor fixtures, HID ballasts, and other electronic and lighting circuits.

The KLQ is the same physical size as the Littelfuse BLS, but has more time delay to handle transient and inrush currents.

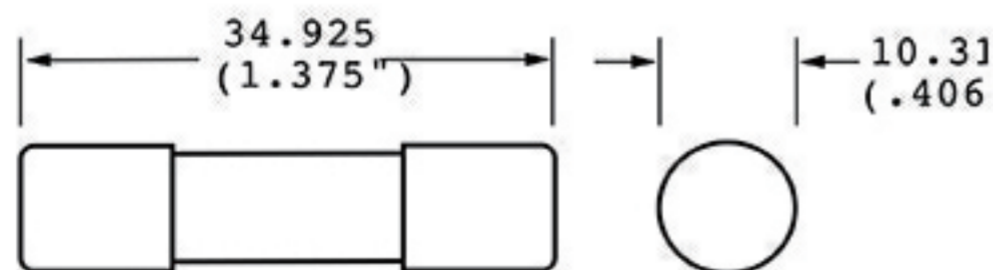
Features/Benefits

- Ideal for 600 Vac or less systems
- Increased time-Delay

Applications

- Gaseous vapor fixtures
- HID ballasts
- Lighting circuits

Dimensions millimeters (in)



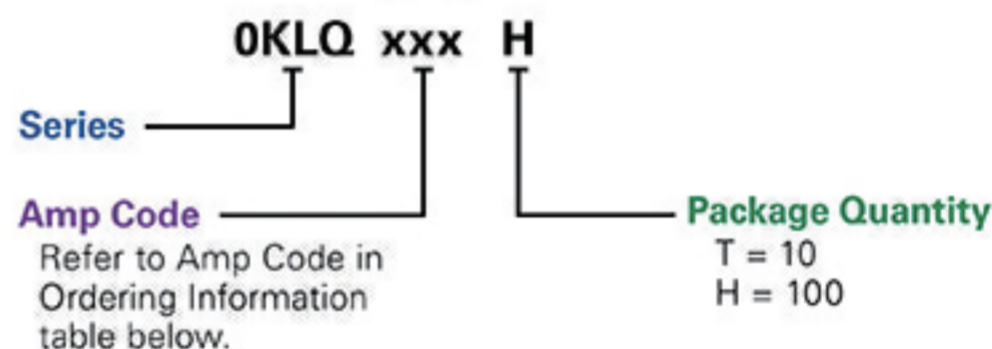
Ordering Information

| AMP RATING | AMP CODE | VOLTAGE (VAC) | INTERRUPTING RATING (kA) | CATALOG NUMBER | ORDERING NUMBER | UPC | NOM COLD RESISTANCE (ohm) | AGENCY APPROVALS |
|------------|----------|---------------|--------------------------|----------------|-----------------|-------------|---------------------------|------------------|
| | | | AC | | | | | UL |
| 1 | 001. | 600 | 10 | KLQ001 | 0KLQ001.T | 07945805334 | 1.414 | • |
| 1 6/10 | 01.6 | 600 | 10 | KLQ01.6 | 0KLQ01.6T | 07945805335 | 0.6536 | • |
| 2 | 002. | 600 | 10 | KLQ002 | 0KLQ002.T | 07945805336 | 0.4 | • |
| 3 | 003. | 600 | 10 | KLQ003 | 0KLQ003.T | 07945805337 | 0.1829 | • |
| 5 | 005. | 600 | 10 | KLQ005 | 0KLQ005.T | 07945805339 | 0.0766 | • |
| 6 | 006. | 600 | 10 | KLQ006 | 0KLQ006.T | 07945805340 | 0.0571 | • |

Specifications

| | |
|-----------------------------|--|
| Voltage Rating | 600 Vac or less |
| Amperage Rating | 1, 1 6/10, 2, 3, 5, 6 |
| Interrupting Ratings | 10 kA @ rated Vac |
| Material | Body: Melamine Caps: Copper Alloy (nickel plated) |
| Approvals | UL Listed (File: E10480) CSA Certified |
| Environmental | RoHS Compliant |
| Country of Origin | Mexico |

Part Numbering System



| SERIES | AMP | PACK QUANTITY | CATALOG NUMBER | ORDERING NUMBER |
|--------|-----|---------------|----------------|-----------------|
| KLQ | 1.6 | 10 | KLQ01.6 | KLQ01.6T |
| KLQ | 5 | 100 | KLQ005 | KLQ005.H |

Recommended Fuse Holders

L60030M Series
L60030MPCB Board Mount Holder

Web Resources

For additional information, visit: littelfuse.com/klq