

1000VDC, Fast Acting Fuse for DC Application

A301001 Series

Description 描述

Fast Acting fuse for DC Application 用于直流应用的快速熔断器

Stud-mount, optional for other installation 螺栓安装,提供其他安装方式选择

Excellent DC performance 卓越的直流分断能力

Comply RoHS directive 符合 RoHS 指令

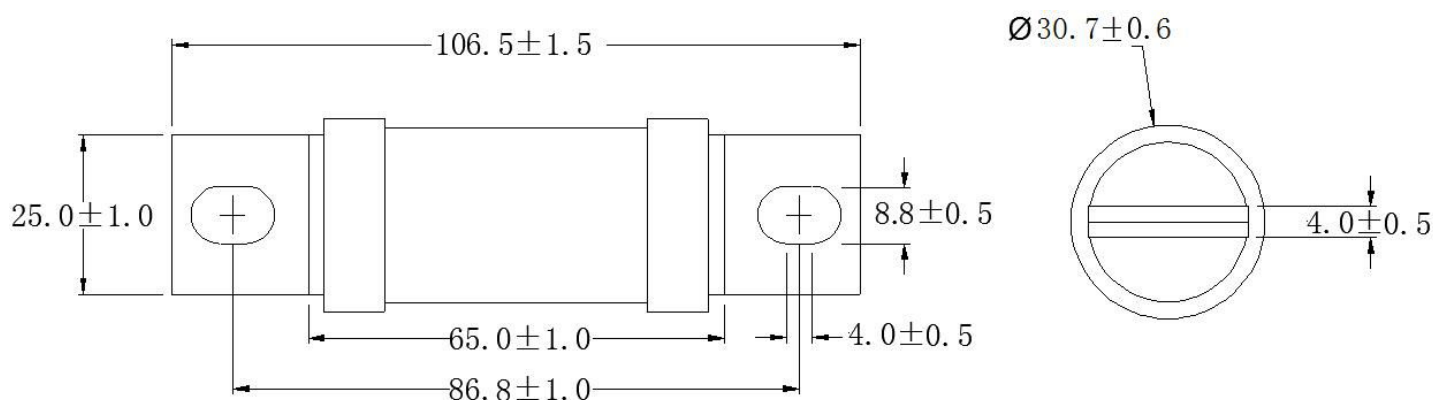
Specifications 电气特性

Type 类型	Ordering P/N 订购料号	Electrical Characteristics			
		Rated Current 额定电流(A)	Rated Voltage 额定电压(DCV)	Breaking Capacity 分断能力	1.0In Power loss 额定功耗 (W)
Single 单体	A301001-100	100	1000V	50KA	16
	A301001-125	125			22
	A301001-160	160			30
	A301001-200	200			36

* 0.5In Temperature Rise $\leq 50K$ 0.5 倍载流温升不大于 50K

Dimension (mm)尺寸

单体/Single

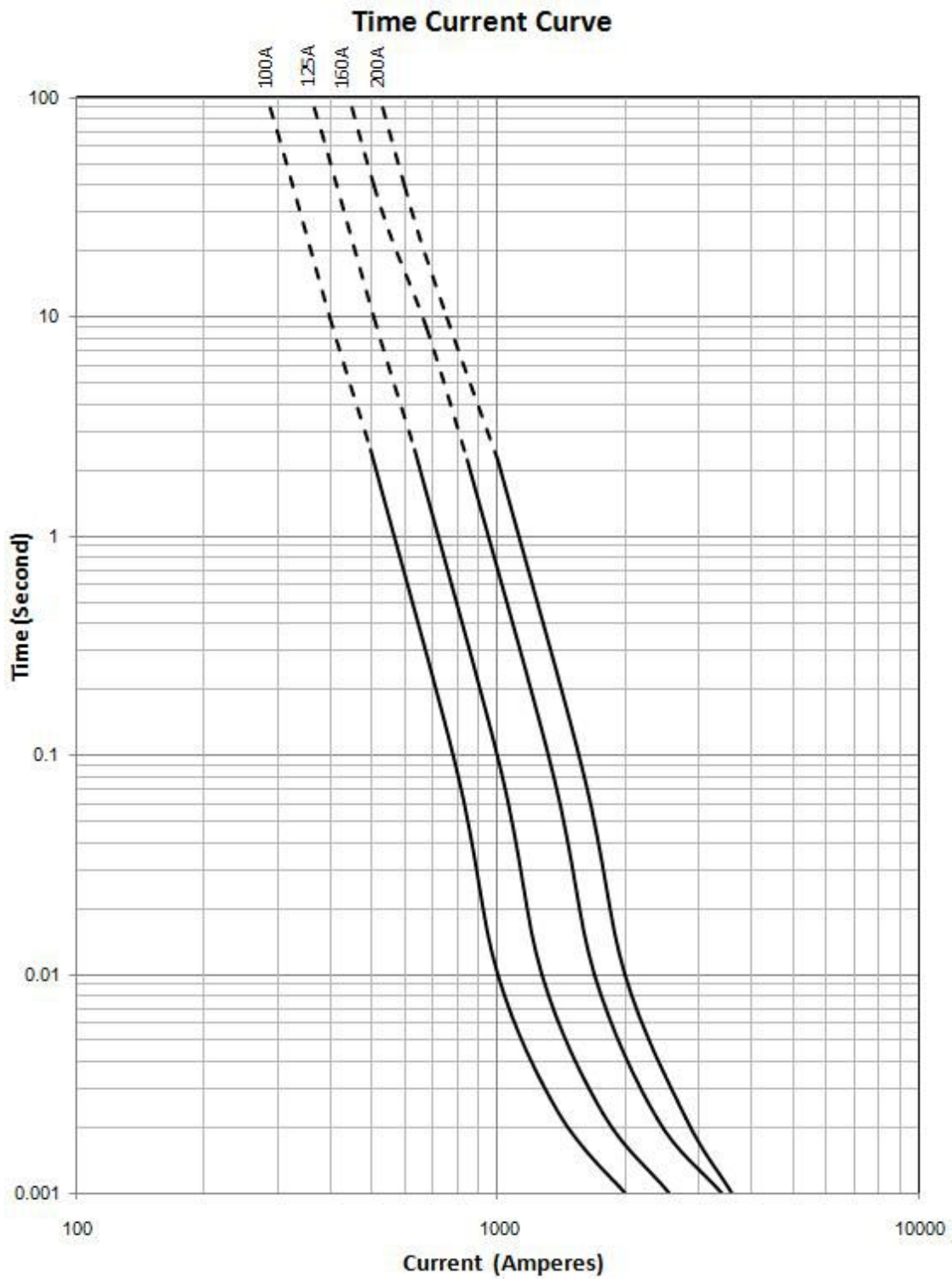




1000VDC, Fast Acting Fuse for DC Application
A301001 Series



Time-Current Curve 时间电流曲线



1000VDC, Fast Acting Fuse for DC Application

A301001 Series

Transportation and Storage 运输与储存

During transportation and storage, should avoid water seepage and mechanical damage 运输与储存期间,应避免雨雪侵蚀和机械损伤.

Conditions for operation in service 工作条件

Where the following conditions apply, fuses complying with this standard are deemed capable of operating satisfactorily without further qualification.

Normal temperature: -5°C to 40°C ;

The altitude of the site of installation of the fuses does not exceed 2 000 m above sea level;

The air is clean and its relative humidity does not exceed 50 % at the maximum temperature of 40°C ; Higher relative humidities are permitted at lower temperatures, e.g. 90 % at 20°C ;

Under these conditions, moderate condensation may occasionally occur due to variation in temperature.

For operation condition other that above, please contact manufacturer.

在以下条件下使用,熔断器认为能正常工作,不需要进一步验证:

周围空气温度: -5°C to 40°C ; 安装地点的海拔不超过 2000 米;

空气是干净的,其相对湿度在最高温度为 40°C 时不超过 50%;在较低温度下可以有较高的相对湿度,例如,在 20°C 时,相对湿度可达 90%;在这些条件下,由于温度变化,可能偶然发生中等凝露.

如果使用条件超出以上范围,请咨询制造商以确认相应的折减计算.

Temperature Derating Curve 温度调额曲线

